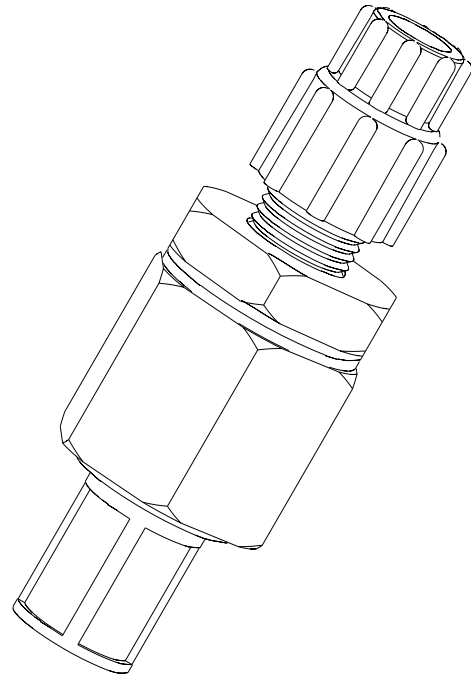


# Information Sheet

## Flooded Suction Tank Adapter Model No. 31591

- Flooded suction installations result in optimum pump performance, easy priming, and help to prevent loss of prime. LMI's Flooded Suction Tank Adapter gives you this efficient configuration option.
- Allows any LMI metering pump with 3/8" tubing to be used in a flooded suction configuration.
- Fits most tanks with a 5/8" diameter opening and a wall thickness up to 1/4".
- Constructed of PVC and polyethylene, the adapter is resistant to a wide variety of solutions.
- Easy installation makes this an excellent application option.



8 Post Office Square  
Acton, MA 01720 USA  
TEL: (978) 263-9800  
FAX: (978) 264-9172  
<http://www.lmipumps.com>



Replaces same as Rev. C 3/97  
1549.C 4/98

# Instruction Sheet

## Flooded Suction Tank Adapter Model No. 31591

**NOTE:** *It is recommended that the adapter be installed at least 2" above the bottom of the tank so that the adapter is above any sediment on the tank bottom.*

1. Remove coupling nut (Item #1), clamp ring (Item #2), bulkhead nut (Item #3), and one of the two large washers (Item #4) from the bulkhead fitting (Item #5).
2. Drill a 5/8" diameter hole in the side of the tank.
3. Install the bulkhead fitting (Item #5) in the tank with the strainer (Item #6) on the inside of the tank.
4. Replace the other large washer (Item #4) and the bulkhead nut (Item #3) on the outside of the tank and tighten.
5. Place small end of the coupling nut (Item #1) and the clamp ring (Item #2) onto the tubing. Press tubing onto the tapered nozzle of the bulkhead fitting (Item #5) so that the tubing flares out and butts up against the shoulder of the bulkhead fitting (Item #5). Slide the coupling nut down until the threads are engaged and tighten by hand until tubing is held securely in place. Be sure that tubing is tight on the bulkhead fitting. Tubing not properly installed on the fitting may come loose and cause solution to leak from the tank.

**Excessive force will crack or distort fittings.  
DO NOT USE PIPE WRENCH.**

6. Complete your installation in accordance with your metering pump installation guide and Liquid Handling Assembly instructions.

KEY NO.	PART NO.	DESCRIPTION	QTY
1	10299	Coupling Nut, Polypropylene	1
2	26136	Clamp Ring	1
3	31466	Bulkhead Nut, PVC	1
4	31590	Washer, Polyethylene	2
5	31528	Bulkhead Fitting, PVC	1
6	10123	Strainer, Polypropylene	1

