



Griffco Valve Inc.
 6010 N. Bailey Ave., Ste 1B
 Amherst, NY 14226
 Phone: 1 716 835-0891
 Fax: 1 716 835-0893

M-SERIES BACK PRESSURE VALVES



Features:

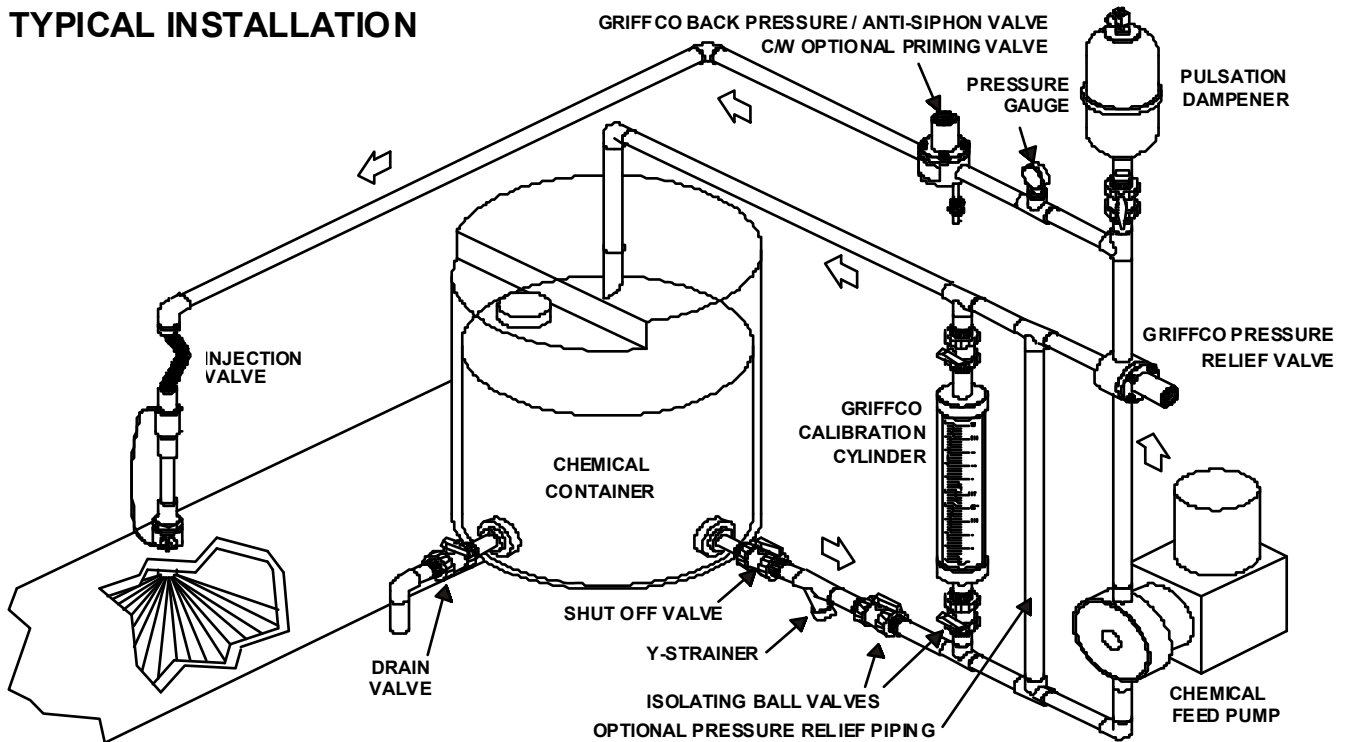
- NEW Molded Noryl Top
- High Reliability / Low Cost
- Compact Size for OEM Applications
- Adjustable Pressure Settings
- Optional 350 PSI Rated Valve
- Anti-Siphon Function
- Robust, Machined Body Construction
- Vulcanised PTFE/EPDM Diaphragm
- Wide Range of Materials

Operation:

Griffco diaphragm back pressure valves apply positive discharge pressure to a metering pump system to prevent siphoning and eliminate varying dosage rates caused by fluctuating downstream pressure. The diaphragm is held against the valve seat by an internal spring. When the preset pressure is exceeded, the diaphragm is forced up and chemical flows through the valve to the injection point. The valves are preset for 50 psi, however they are field adjustable from 10 - 150 psi via the adjustment screw. Installation should be as close to the injection point as possible to prevent chemical line drainage, and it is most important that all chemical system equipment such as pulsation dampeners and pressure gauges are between the pump and back pressure valve.

Griffco's new molded Noryl top extends the temperature and pressure rating of the standard valves. New valve designs continue to enhance the performance of chemical feed systems by applying a continuous back pressure to the chemical feed pump, while also acting as an anti-siphon valve. New construction ensures increased reliability in the rigorous service of municipal and industrial applications. Wetted materials include: **PVC, CPVC, PP, PVDF, PTFE, 316 SS, A 20 and Hast. C.** Available sizes: 1/4" - 1/2".

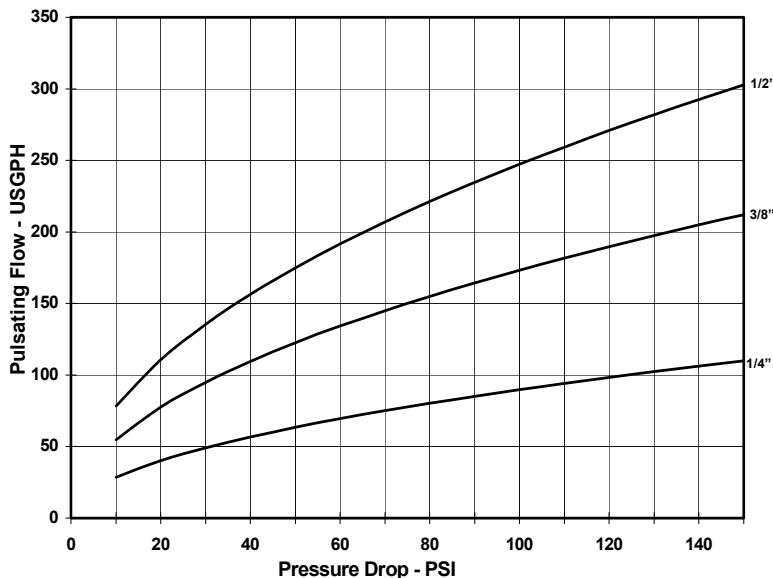
TYPICAL INSTALLATION



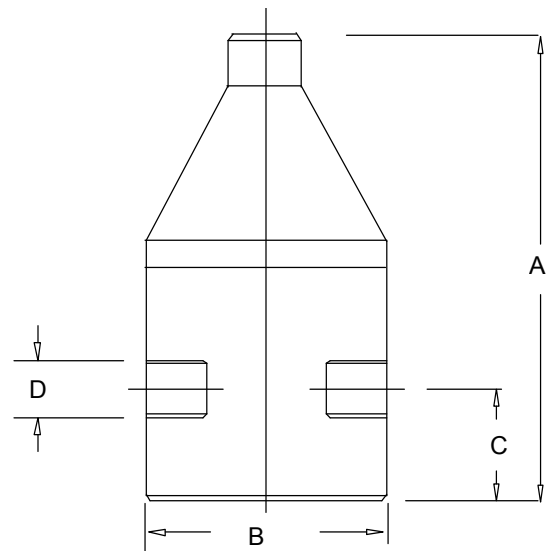
Technical Data:

Sizes: Model BPM		1/4", 3/8", 1/2"			
Connections:		NPT and Socket			
Pressure Adjustment		0 - 50 psi, 10 - 150 psi, 10 - 250 psi, 50 - 350 psi			
Flow Rates @ 150 psi		Shipping Weight: lbs			
Size	Pulsating	Continuous	Plastic	Metal / Plastic Top	Metal / Metal Top
1/4"	100 USgph	5 USgpm	1.0	2.5	3.0
3/8"	200 USgph	10 USgpm	1.0	2.5	3.0
1/2"	300 USgph	15 USgpm	1.0	3.0	3.5
Max Temperature: (°F)		PVC: 140°; CPVC & PP: 195°; PTFE & PVDF & Metal: 300°, (Peak 390°)			
Max Operating Pressure @ 70°F: (psi)		Plastic/Noryl: 375 psi, Metal /Metal: 2000 psi			
Materials of Construction:					
Diaphragm		PTFE / EPDM, Optional: Viton, Hypalon, Nitrile, PTFE / Viton			
Valve Top		Standard: Noryl Optional: 316 SS			
Valve Body		PVC, CPVC, PP, PTFE, PVDF, 316 SS, A 20, Hast. C, Others on Request			

Performance Curves:



Dimensions:



Product Codes For Ordering:

BPM
 1 2 3

1 = Size

025 - 1/4"
 038 - 3/8"
 050 - 1/2"

2 = Material

P - PVC
 CP - CPVC
 PP - Polypro
 T - PTFE
 K - PVDF
 S - 316 SS
 A - Alloy 20
 C - Hastalloy C

3 = Options

V - Viton Diaphragm
 S - Socket Connections
 U - Union Connections (1/2")
 B - BSP Tread Connections
 OSS - Optional 316 SS Top
 MSS - 50 - 350 psi; 316 SS Top
 AR - Optional Air Release Port

D	A	B	C
1/4" Plastic	3.55	2.35	0.75
1/4" Metal	3.55	2.35	0.75
3/8" Plastic	3.55	2.35	0.75
3/8" Metal	3.55	2.35	0.75
1/2" Plastic	4.25	2.35	1.08
1/2" Metal	4.25	2.35	1.08

Note: Option MSS is only for use on 316SS, A20, & Hast C Valves.