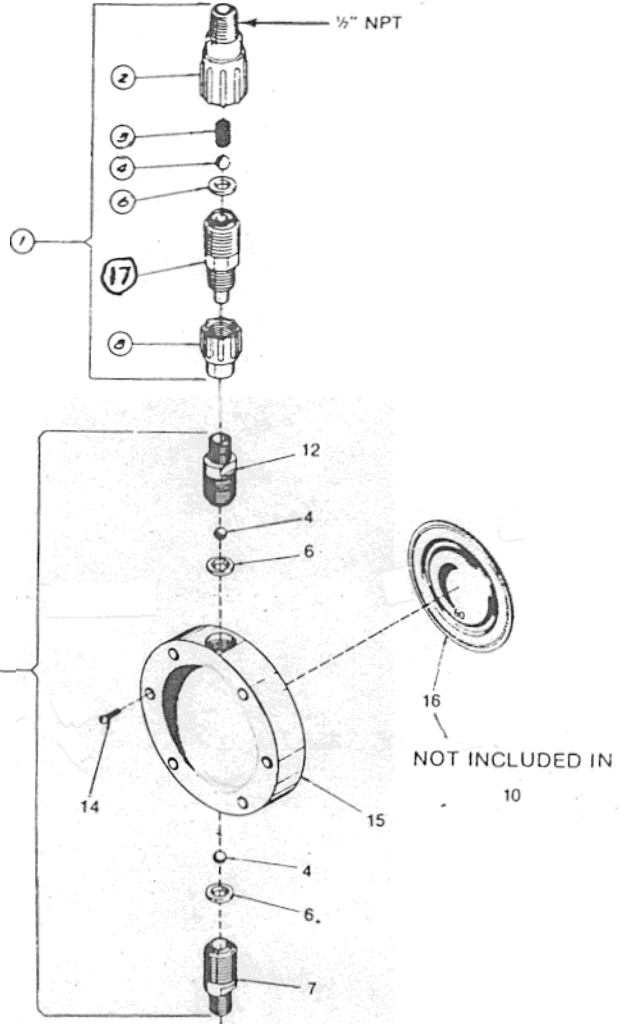


LE CT

LE CT

Ref. No.	Part No.	Description	Qty.
1	26713	Inj. Check/Back Press. Valve	1
2	10208	Injector Fitting, gray PVC	1
3	10339*	Spring	1
4	10138*	Ball, Ceramic	3
6	25128*	Seal Ring, Teflon	3
7	10951	Valve Seat, 3/8" NPT, PVC	1
8	10211	Coupling Nut, gray PVC	1
10	26632	Head Assembly, LE CT	1
12	26024	Valve Hsg., PVC 1/2" NPTM	1
14	10340	Screw, 10-24 x 3/4" SS	6
15	25905	Head, 6.0SI, PVC	1
16	25719*	Liquifram, 6.0SI, Teflon Face	1
17	10206	Valve Seat	1

* Parts Included in Spare Parts Kit No. SP-CT.



LIQUID METRONICS INCORPORATED

19 CRAIG ROAD • ACTON, MA. 01720, U.S.A. • 617-263-9800 • TELEX 95-1781