



PRODUCT SPECIFICATIONS

Industrial Contacting Conductivity Electrodes

Parts covered by this specification sheet include: CS650HT, CS650HTTC, CS675, CS675HT, CS675TC, CS675HTTC, CS676, CS676HT, CS676TC, CS676HTTC

- Heavy duty electrodes for boiler applications
- Available with ATC for most makes and models of transmitters and controllers
- 0.1, 1.0 and 10.0 cell constants available
- Longer version for mounting in cross



Sensorex manufactures a quality line of industrial grade conductivity electrodes for submersion or in-line mounting. All electrodes are constructed of stainless steel bodies and pins (SS316) and either teflon or peek insulator (for high temperature use "HT versions"). Automatic temperature compensation is available as an

option. Model CS650HTTC is well suited for ultra-pure water applications while CS675HTTC and CS676HTTC are well suited for boiler applications. All boiler models are supplied with 6" long teflon coated wires.

ORDERING INFORMATION

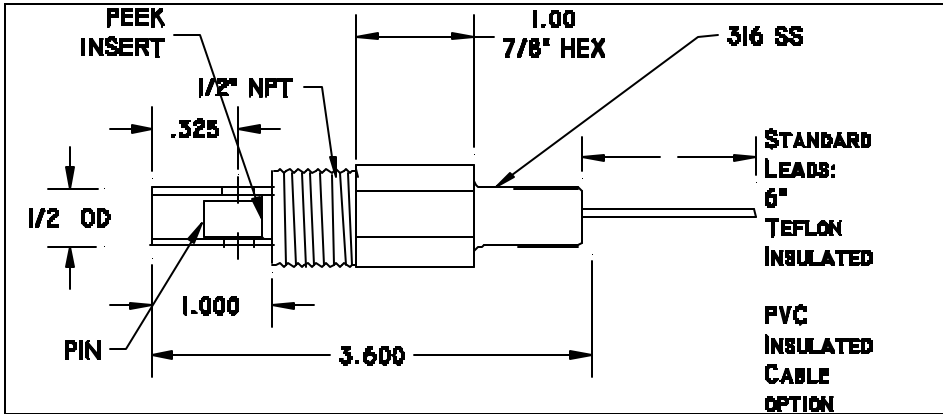
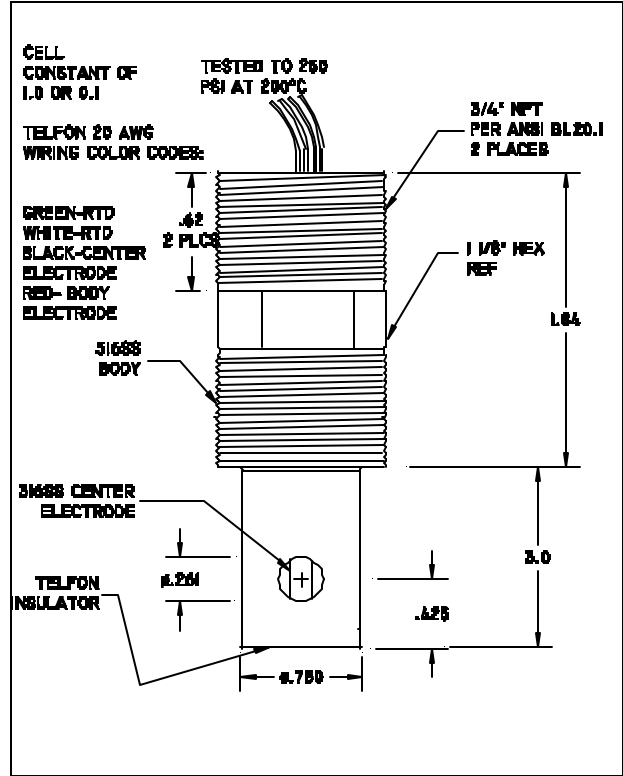
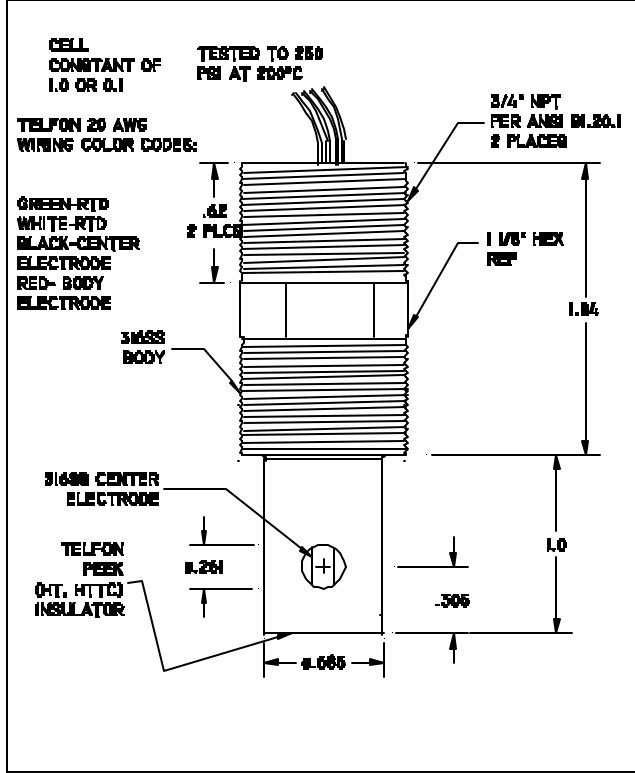
MODEL NO.	DESCRIPTION	SPECIFY WHEN ORDERING
CS650HT	1/2" NPT CONDUCTIVITY ELECTRODE(NO ATC)	CABLE TYPE, CELL CONSTANT
CS650HTTC	1/2" NPT CONDUCTIVITY ELECTRODE(WITH ATC)	CABLE TYPE, ATC TYPE, CELL CONSTANT
CS675	3/4" CONDUCTIVITY ELECTRODE (NO ATC)	CELL CONSTANT
CS675TC	3/4" CONDUCTIVITY ELECTRODE (WITH ATC)	ATC TYPE, CELL CONSTANT
CS675HT	3/4" CONDUCTIVITY ELECTRODE (NO ATC)- HIGH TEMP. VERSION	CELL CONSTANT
CS675HTTC	3/4" CONDUCTIVITY ELECTRODE (WITH ATC)- HIGH TEMP. VERSION	ATC TYPE, CELL CONSTANT
CS676	3/4" CONDUCTIVITY ELECTRODE (NO ATC)-LONG LENGTH	CELL CONSTANT
CS676TC	3/4" CONDUCTIVITY ELECTRODE (WITH ATC)-LONG LENGTH	ATC TYPE, CELL CONSTANT
CS676HT	3/4" CONDUCTIVITY ELECTRODE (NO ATC)-HIGH TEMP., LONG LENGTH	CELL CONSTANT
CS676HTTC	3/4" CONDUCTIVITY ELECTRODE (WITH ATC)-HIGH TEMP., LONG LENGTH	ATC TYPE, CELL CONSTANT

Industrial Contacting Conductivity Electrodes(cont.)

Parts covered by this specification sheet include: CS650HT, CS650HTTC, CS675, CS675HT, CS675TC, CS675HTTC, CS676, CS676HT, CS676TC, CS676HTTC

**CS675, CS675HT, CS675TC,
CS675HTTC**

**CS676, CS676HT, CS676TC,
CS676HTTC**



**CS650HT AND
CS650HTTC
VERSIONS**

CS650 WIRING
TEFLON LEADS OR
PVC COATED CABLE

RED = BODY ELECTRODE
BLK = CENTER PIN
GRN = TC
WHT = TC

SPECIFICATIONS

Wetted Materials:

STAINLESS STEEL 316 BODY AND PINS, TEFLON OR PEEK INSULATOR, AFLAS O-RINGS

Cell constants:

CS650 MODELS: 0.1 AND 1.0 ONLY
CS675, CS675 MODELS: 0.1, 1.0 ONLY

Wire leads: CS650 MODELS: 6" TEFLON COATED, PVC OR TEFZEL COATED WIRE (CONTACT FACTORY)

Temperature/Pressure Ratings

Model#	Temp. Max.	Pressure Max.
CS650HT/HTTC	RTD 200C/NTC 70C	250 psig
CS675/TC	100 C	250 psig
CS675HT/HTTC	200 C	250 psig
CS676/TC	100 C	250 psig
CS676HT/HTTC	200 C	250 psig